

Read the entire instruction manual before starting, so that you are familiar with the stages of the assembly and the tools required at each step.

TOOLS REQUIRED (Not Supplied)

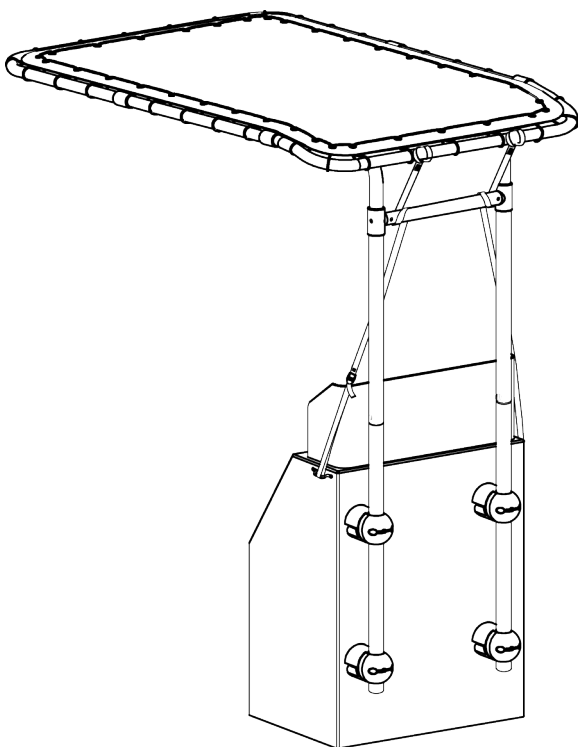
- Phillips head screw driver
- Codeless Drill
- Masking tape, Tape measure & Pencil

COMPONENTS (INCLUDED IN BOX)

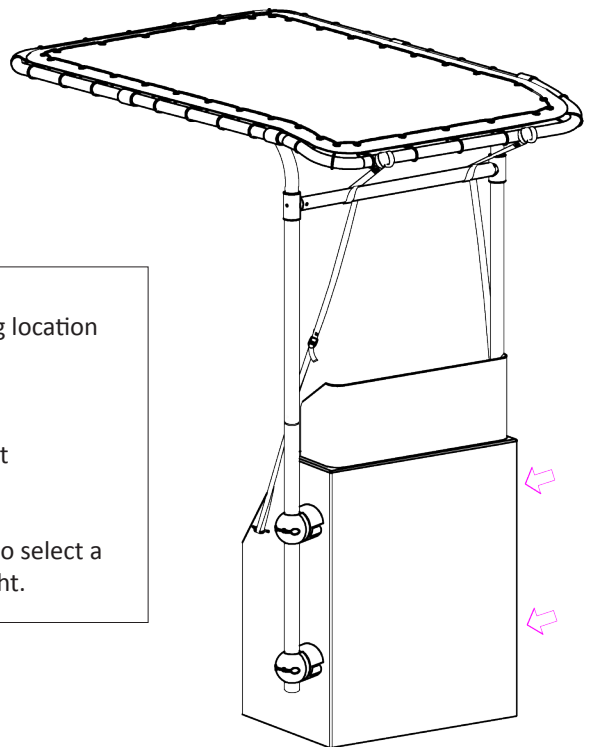
<p>2x 1 Support Arm</p> <p>1x 3a U Frame (With T Joiner)</p> <p>1x 3b U Frame</p>	<p>1x 5 Crossbar</p> <p>2x 4 Top Side Frame</p>	<p>2x 2a Upright Bottom</p> <p>2x 2b Upright Top</p> <p>1x 6 Bracing Bar</p>	<p>2x 7 Cross Mount</p> <p>2x 8a T-Joiner With Hole</p> <p>2x 8b T-Joiner</p> <p>4x 9a Console Mount Cap</p> <p>4x 9b Console Mount Base</p>	<p>1x 10 Fabric</p>	
<p>4x 11 1/4" x32mm Screw</p> <p>2x 12 1/4" x38mm Screw</p>	<p>2x 14 Webbing Straps</p>	<p>2x 15 Saddle</p> <p>4x 15a M5x25mm Screw</p> <p>4x 15b M5 Nut</p> <p>4x 15c M5 Washer</p>	<p>8x 21 M6 Screw</p> <p>16x 20 Counter Sunk Screw M6 x 80mm</p>	<p>1x 21a M6 Allen Key</p> <p>24x 18 M6 Nut</p> <p>16x 22 M6 Washer</p>	<p>8x 19 Cable Ties</p> <p>1x 24 Cord</p>
				<p>1x 23 ø5.0 Drill Bit</p> <p>1x 25 ø6.0 Drill Bit</p>	<p>2x 26 ST4.2 Screw</p>

STEP 1- Select suitable Mounting Option

OPTION 01 - Front Mount



OPTION 02 - Side Mount

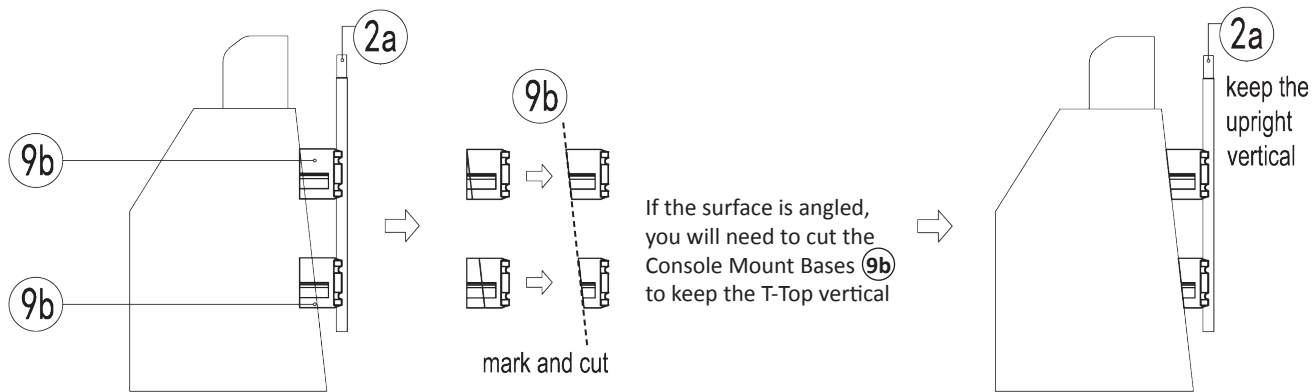


ATTENTION:
Determine the mounting location on your console.

Two Mounting Options
OPTION 1 - Front Mount
OPTION 2 - Side Mount

N.B It is recommended to select a surface that is straight.

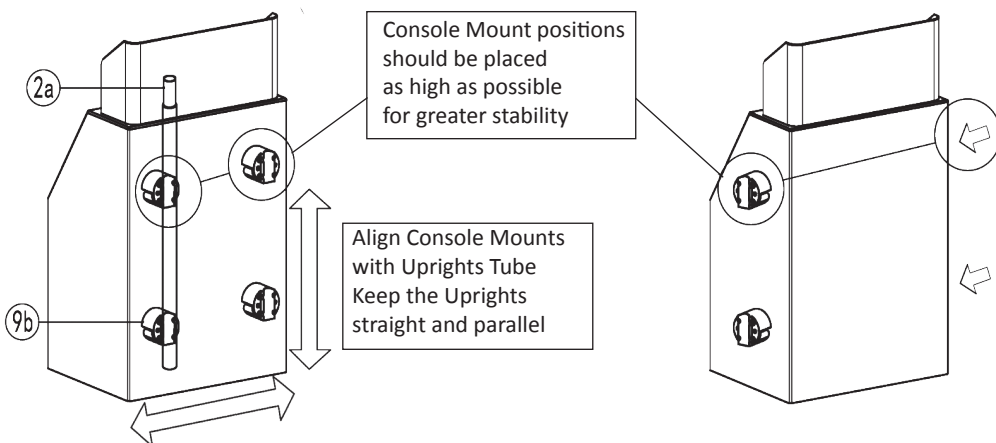
STEP 2 - Attach Uprights to the console



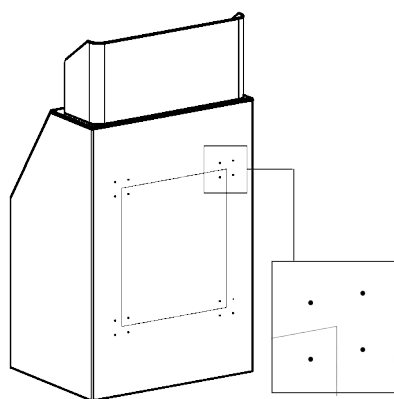
a. Select the location to attach the Console Mounts.

OPTION 01 - Front Mount

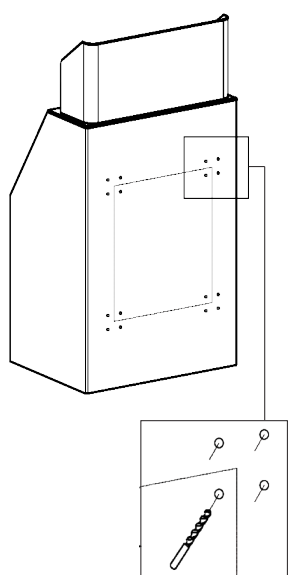
OPTION 02 - Side Mount



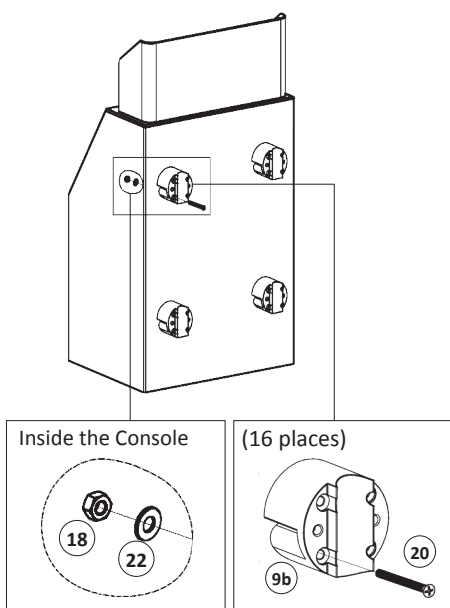
b. Mark the Screw positions (16 Places)



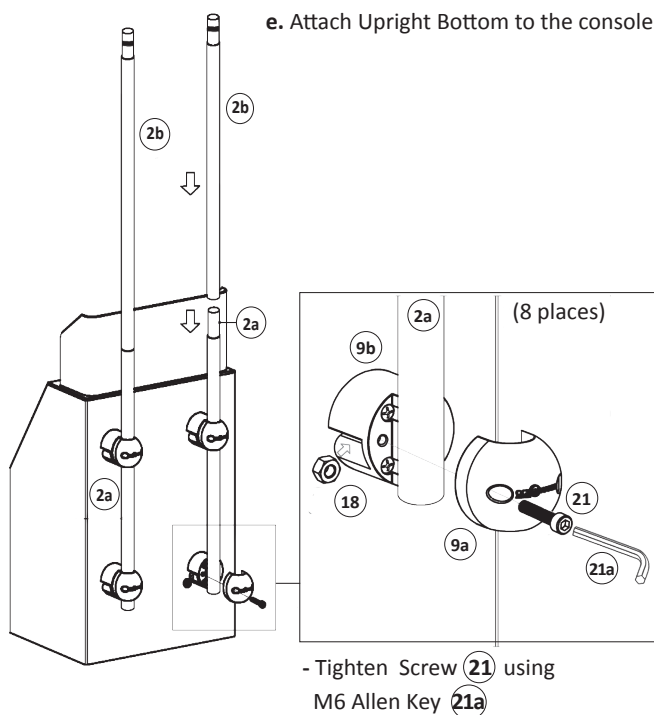
c. Drill Holes (16 Places)



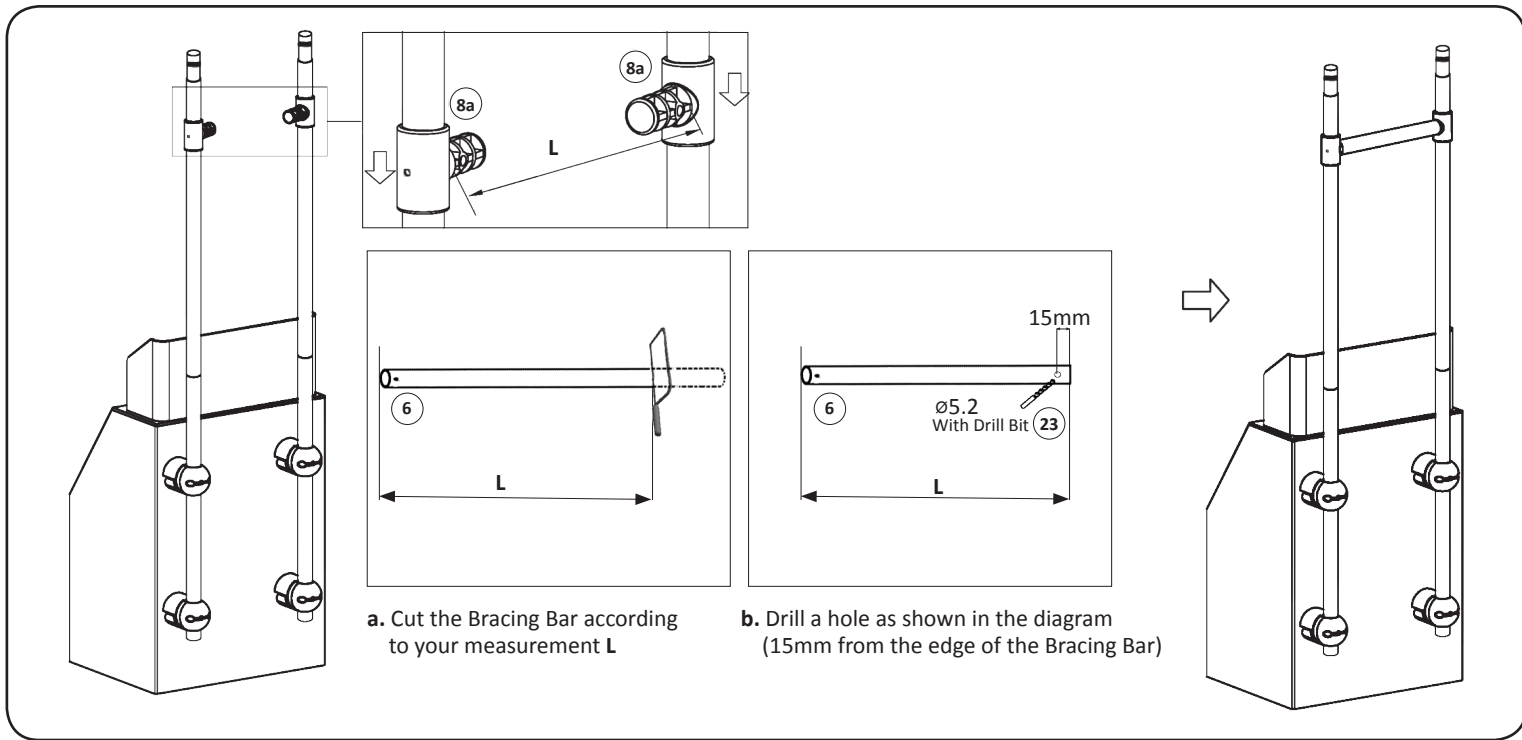
d. Attach Console Mount Base to the console



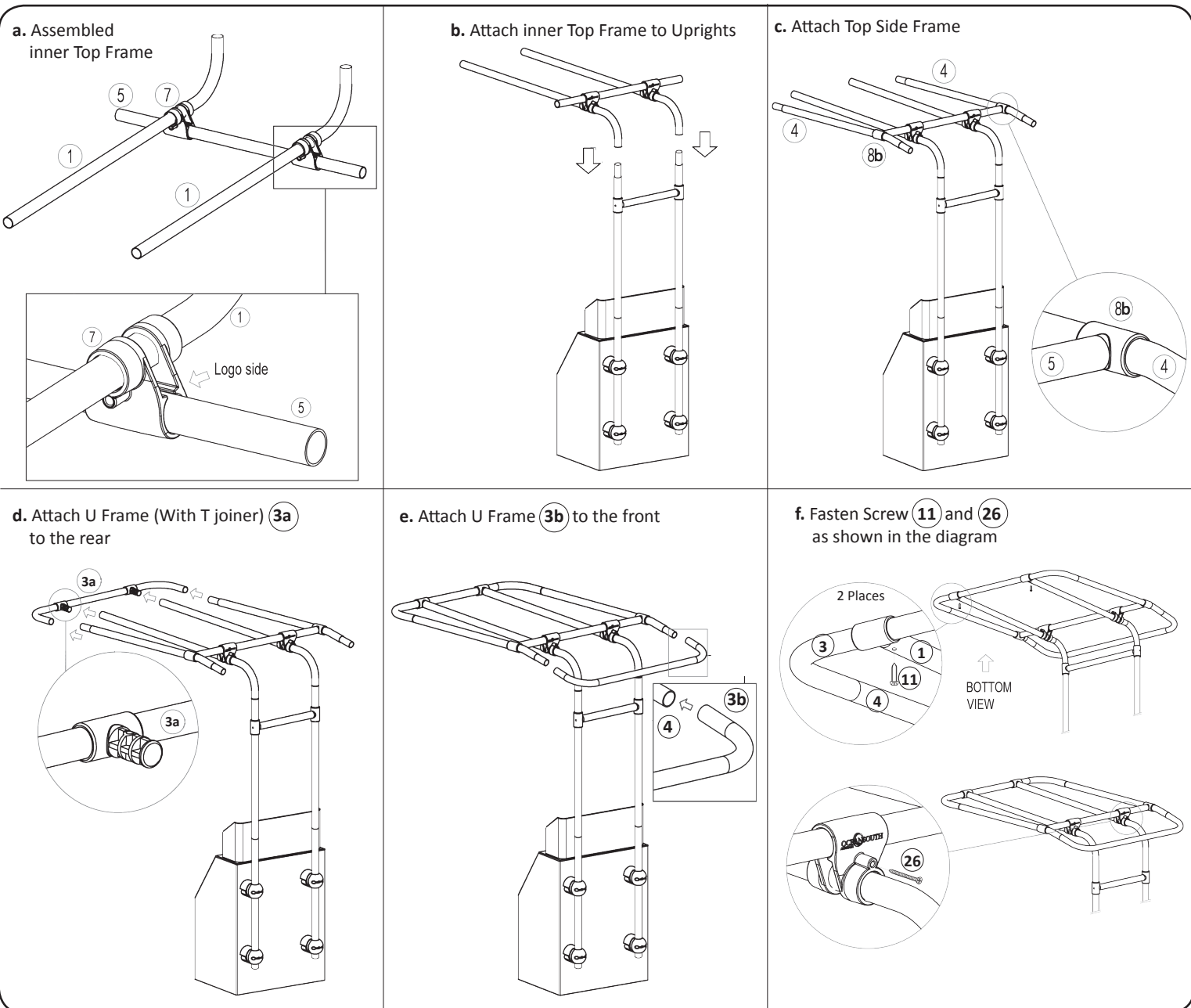
e. Attach Upright Bottom to the console



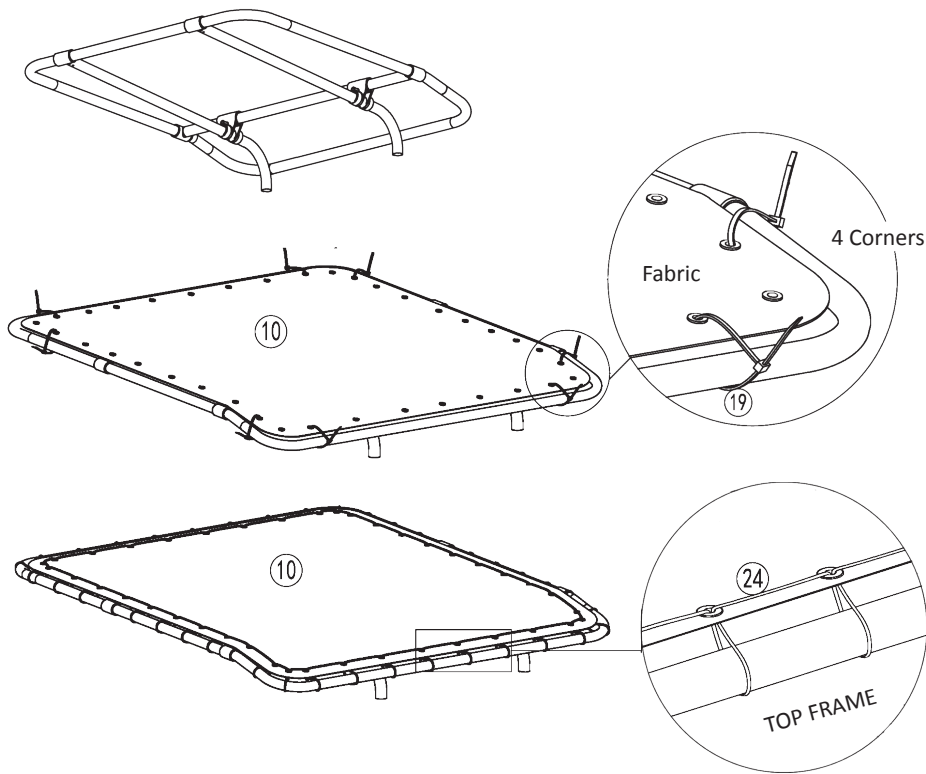
STEP 3 - Attach Bracing Bar to Uprights



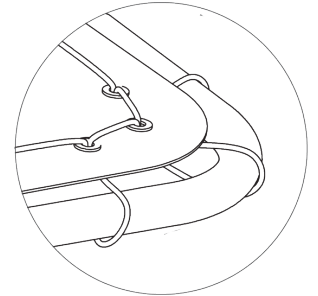
STEP 4 - Assemble Frames



STEP 5 - Attach the Fabric to the Top Frame



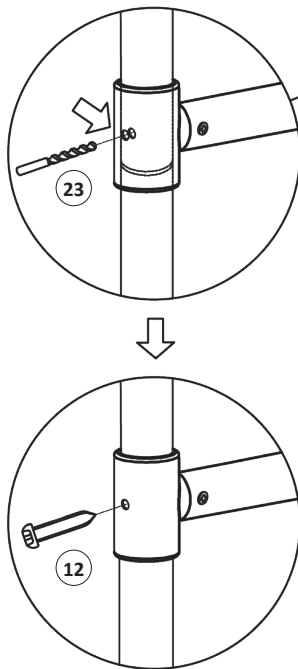
- Remove the top frame.
- Position the Fabric over the Top Frame fasten with Cable Ties (19) as shown
- Pass the Cord (24) through the holes as shown



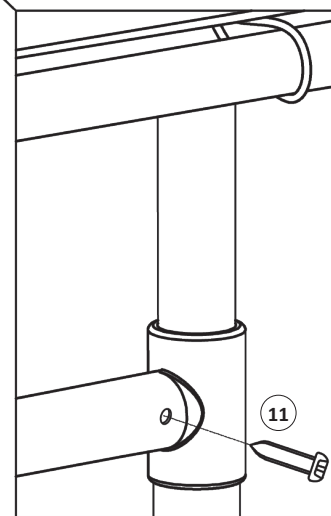
- Finish by removing the Cable Ties (19)

STEP 6 - Attach Top Frame back on to the Uprights

- Drill holes as shown through aluminium tube. (both sides)

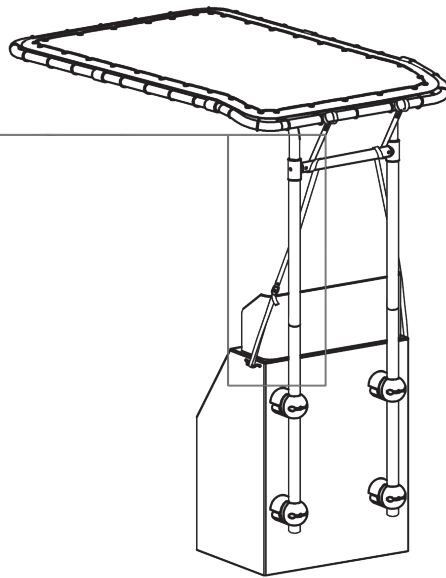
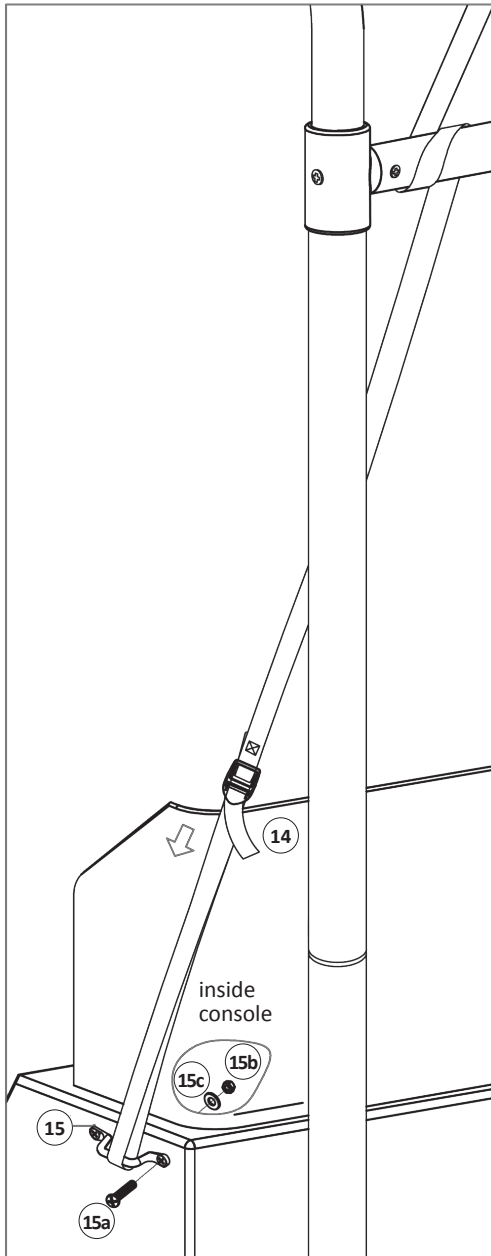


- Fasten Screws (12) (both sides)



- Fasten Screws (11) (both sides)

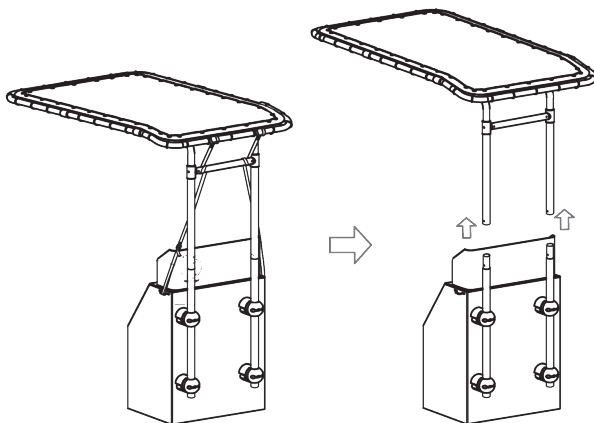
STEP 7 - Attach Webbing Straps



- a. Fasten the Saddle (15) with (15a) (15b) (15c) as shown in the diagram (both sides)
- b. Tension the Webbing Strap (14) as shown in the diagram (2 places)

IF REQUIRED T-TOP CAN BE EASILY REMOVED OR RETRACTED

OPTION 01 - Removing the T-Top



OPTION 02 - Retracting the T-Top

